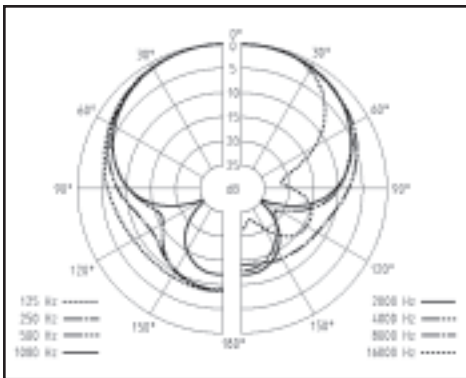
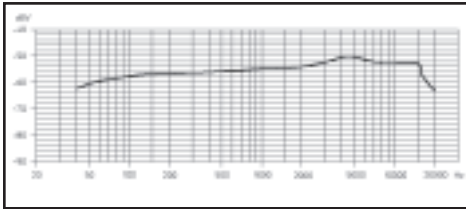


evolution



e 845 High Performance Lead Vocal Microphone

The e 845 is a high-performance super-cardioid lead vocal microphone with an extended high-frequency response, specially designed for stage use. Sound inlet basket: refined steel.

Features—Benefits

- Metal construction—rugged and reliable
- Full dynamic range and smooth frequency response—excellent signal quality
- Shock-mounted capsule—low sensitivity to impact and handling noise
- Hum compensating coil—reduces electrical interference
- Silent on/off switch (e 845-S only)
- Neodymium ferrous magnet with boron—keeps mic stable regardless of climate
- Falcon ring—consistent sound over time
- On/off switch (reed switch) can be locked in the ‘on’ position if required

Technical Data

Pick-up pattern	super-cardioid
Frequency response	40–16,000 Hz
Sensitivity (free field, no load) (1 kHz)	1.8 mV/Pa at 1 kHz, nominal
Nominal impedance	350 Ω
Min. terminating impedance	1 k
Dimensions in inches	1.81 W x 7.28 L
Weight	11.64 oz

Product Variants

e 845, e 845, EPACK845 (e 845, Stand, Cable), THREEPACK 845 (3x 845), e 845-S (with on/off switch)

Supplied Accessories

- 1 protective pouch
- 1 MZQ 800 microphone clip

Optional Accessories

21' XLR microphone cable	MC21N
Grey foam windscreen	MZW 4032
Floor stand with boom arm	SEMS 3000

Architect’s Specifications

The unit shall be a super-cardioid vocal microphone with a hum compensating coil with a frequency response of 40 Hz–16 kHz. The unit shall have a sensitivity (free field, no load) of 1.8 mV/Pa at 1 kHz and have nominal impedance of 350 Ω. The min. terminating impedance shall be 1 k. The unit shall be dimensions 1.81 x 7.28 inches, and weight 11.64 oz. The unit shall be a Sennheiser e845 microphone.