

Key Features

Long-lasting laser phosphor light source | 5,200 lumen brightness |

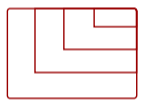
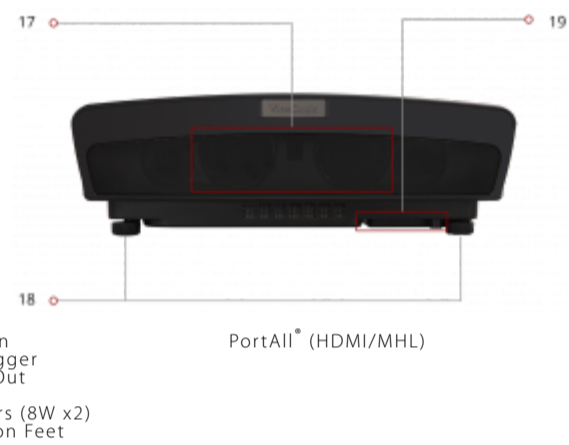
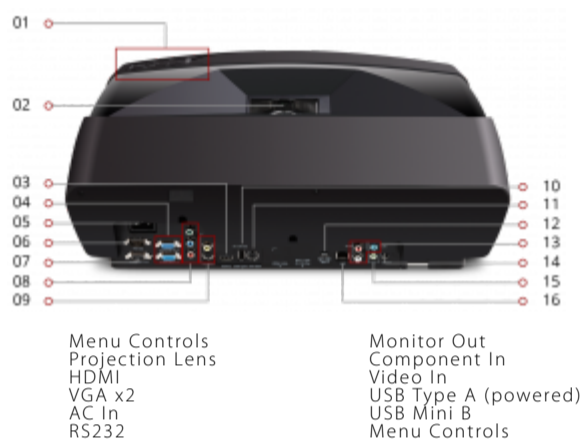
Large images in small spaces | Ultra-high contrast ratio | Secure

MHL/HDMI port



Product Description

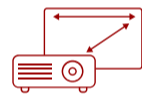
Featuring 1280x800 WXGA resolution and 5,200 lumens of brightness, the ViewSonic® LS810 Laser Projector is the ideal solution for modern business and education environments. Designed with a laser phosphor light source lasting up to 20,000 hours, this projector delivers long-term, virtually maintenance-free usage for any boardroom or classroom. With its 0.23 ultra-short throw ratio, HV keystoneing and 4 corner adjustments, the LS810 makes installation a hassle-free experience. What's more, the ultra-short throw ratio allows you to place the projector just inches away from a wall or screen to give you a huge image for less cost than a comparably sized display. The LS810 also features a hidden PortAll® compartment which accommodates additional accessories such as a wireless streaming device, or PC stick. Powered by SuperColor™ technology for true-to-life images, and SonicExpert® technology for incredibly clear sound, the LS810 delivers an immersive audiovisual performance.



1280 x 800
RESOLUTION



5,200 ANSI
LUMENS



0.23
THROW RATIO

Contact Sales

- call: 888.881.8781
- email: salesinfo@viewsonic.com
- visit: viewsonic.com

Display:

Type:	DLP Laser
Resolution Type:	WXGA (1280x800)
Resolution:	1280 x 800
Brightness (Lumens):	5,200 ANSI
Display Size (in.):	70 – 150 in. / 1.78 – 3.81 m (diagonal)
Throw Distance:	1.21 – 2.62 ft. / 0.37 – 0.8 m
Throw Ratio:	0.23
Keystone:	Vertical (± 30°) / Horizontal (± 30°)
Lens:	Digital optical focus
Light Source (watt):	390
Light Source Life, Normal (hours):	15000
Light Source Life, Dynamic Eco-Mode (hours):	20000
Color Depth:	30 bits, 1.07B Color (10+10+10)
Dynamic Contrast Ratio:	100,000:1
Aspect Ratio:	16:10

Video Signal:

Frequency Horizontal:	15–100KHz
Frequency Vertical:	24–120Hz

Compatibility:

PC Resolution (max):	Up to 1920x1080
Mac® Resolution (max):	Up to 1920x1080 (may require MAC adapter)

Connector:

USB 2.0 Type A(1), USB Type A (5V 2A) (1), Ethernet LAN (RJ45)(1), 3.5mm 12V Trigger(1), 3.5mm Audio Out(1), 3.5mm Audio In(1), Control (RS-232)(1), Control (RS232)(1), HDMI 1.4(1), HDMI MHL(1), VGA In(2), VGA Out(1), Composite RCA Video In(1), Component RCA(1), S-Video In(1), Mini USB(1), Micro USB(1), RCA Audio In (L/R)(2)

Audio:

Internal Speakers:	8W (x2)
Audio Description:	Dual silk tweeters + full-range drivers, ported chambers, Waves MaxxAudio(r) DSP

Power:

Voltage:	AC 100–240V (universal), 50–60Hz
Consumption (max):	450W
Stand-by:	<0.5W

Controls:

Physical Controls:	Power, keystone/arrow keys, left/blank, menu/exit, right/panel key lock, mode/enter, auto, source
On Screen Display:	Display, Image, Power Management, Basic, Advanced, System, Information (See user guide for full OSD functionality)

Operating Conditions:

Temperature:	32–104° F (0 – 40° C)
Humidity (non-condensing):	0–90%

Noise Level:

Eco-Mode:	28dB
-----------	------

Additional Hardware:

Kensington Lock Slot:	1
-----------------------	---

Weight (imperial):

Net (lbs):	30.0
Gross (lbs):	42.8

Weight (metric):

Net (kg):	13.6
Gross (kg):	19.4

Dimensions (imperial) (WxHxD):

Packaging (in.):	21.65 x 12.2 x 22.44
Physical (in.):	20.0 x 6.5 x 15.4

Dimensions (metric) (WxHxD):

Packaging (mm):	550.0 x 310.0 x 570.0
Physical (mm):	508.0 x 165.0 x 392.0

General:

AV Control: AMX Certified, ATEN Certified, Crestron Certified, Extron Certified, PJ Link Certified

Regulations: Mexico Energy test/Registration, EAC, TUV-S Mark (Argentina), India BIS, FCC, CE, EMC, CB, CCC, RoHS, REACH, SVHC, WEEE, ErP, Mexico NOM, cTUVus, PSB, RCM, CECF

PACKAGE CONTENTS: LS810 Projector, Power Cable, VGA Cable, HDMI Cable, Remote Control with Batteries, Quick Start Guide

Warranty: Three-year limited warranty on parts and labor, 1-year limited warranty on the light source, 1st year free Express Exchange® service. (One year Express Exchange Service requires product registration).

Recycle/Disposal: Please dispose of in accordance with local, state or federal laws.

UPC: 766907847413

Accessories:

BCP100, BCP120, HB10B, PGD-350, PJ-WMK-006, PJ-WMK-302, PJ-WMK-304, VIEWSTICK2, VIEWSTICK2-S, VIEWSYNC3, WMK-027, WPG-300